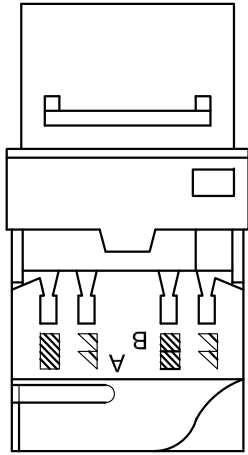
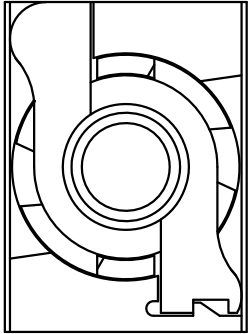
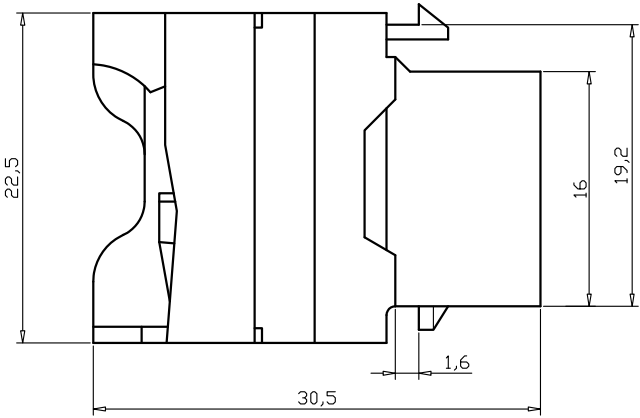
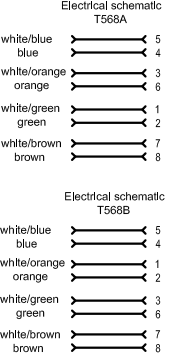
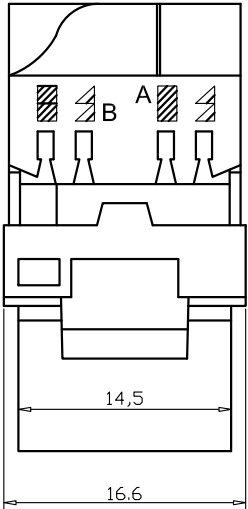


A ↑



A direction



**Material:**  
 1.RJ45 Housing:PC  
 2.Phosphor Bronze with 50-60 micro-inch Nickel plated.  
 3.Contact area: 3-50 micro-inch Gold plated  
 4.IDC Housing: PC  
 5.IDC Terminal material & finished:  
 5-1.Phosphor Bronze with 50 micro-inch Tin-Lead plated. Over 50-60 micro-inch Nickel plated.  
 5-2.Use for 22-26 AWG stranded and solid wire  
 6.Jack Bracket Set:ABS Black color  
 7.PCB: FR4

TITLE:					
	INCH	MM			
.X	.015	.30			
.XX	.010	.10			
.XXX	.005	.05	TITLE: Keystone Jack		
DRAWN BY	MA		P/N:		
CHECK BY	SCALE	1:1		REV	
	UNIT	MM			
APPD BY	SHEET	1/1		DWG NO:	
	DATE	2018/05/05			