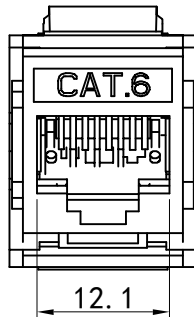
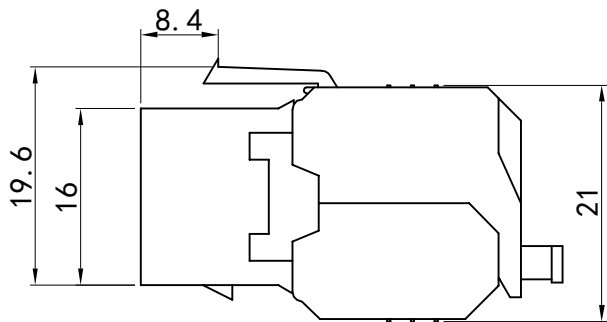
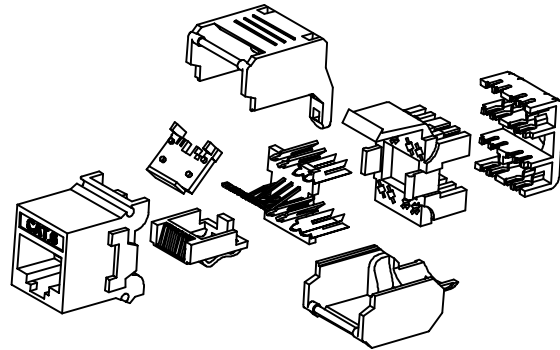
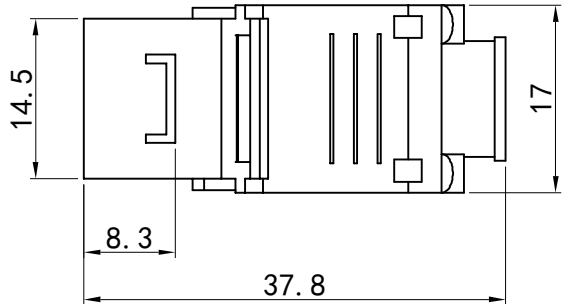


| REVISION RECORD | | | | |
|-----------------|-----|-------------|------|------|
| REV | ECO | DESCRIPTION | DRFT | CHKD |
| | | | | |



MECHANICAL

1. HOUSING MATERIAL: PC UL 94V-0
2. INSERT MATERIAL : FLAME RETARDANT ABS UL94V-0
3. PCB MATERIAL : FR-4 THICKNESS:1.6MM
4. CONTACT MATERIAL: PHOSPHOR BRONZE T=0.35MM 8P8C 3u"Gold Plated
5. IDC CONTACT : PHOSPHOR BRONZE T=0.50MM WITH NICKEL PLATING
6. RJ45 JACK LIFE: 750 TIMES MIN
7. IDN LIFE : 200 TIMES MIN
8. WIRE : AWG 24-26
9. RETENTIVENESS OF INSERTION STRUCTURE: 50N 60±5s

| | | | | | | | |
|----------------|----------------------------|------------------------|-------|-----------------------|------------------------------|-------|-----|
| DETACHED LISTS | MM (INCH) | | DFTO | DATE | Copperled Technology Co.,Ltd | | |
| | TOLERANCES EXCEPT AS NOTED | | CHKD | DATE | | | |
| | | | MFO | DATE | | | |
| | | | APPLY | DATE | | | |
| MM | ± | MATERIAL : | | TITLE | | | |
| .0 ±0.10 | ± | QT'Y : | | | | | |
| .00 ±0.01 | ± | FINISH : | | DRAWING NO. | | SIZE | REV |
| .000 ±0.005 | ± | SCALE : | | /PART NO. CL-KJU-C617 | | A4 | |
| ANGLES ± | | THIRD ANGLE PROJECTION | | DO NOT SCALE DRAWING | | SHEET | OF |

8 | 7 | 6 | 5 | 4 | 3 | 2 | 1