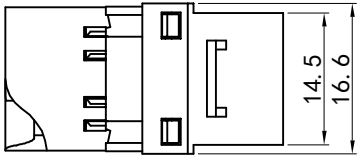
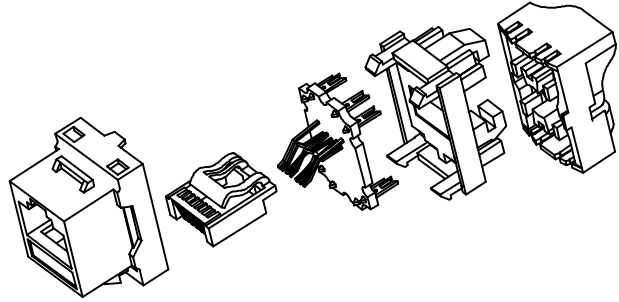
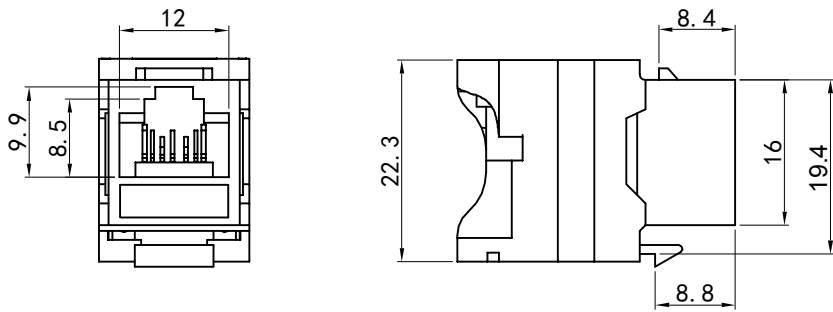


REVISION RECORD				
REV	ECO	DESCRIPTION	DRFT	CHKD



**MECHANICAL**

1. HOUSING MATERIAL: PC UL 94V-0
2. INSERT MATERIAL : FLAME RETARDANT ABS UL94V-0
3. PCB MATERIAL : FR-4 THINKNESS:1.6MM
4. CONTACT MATERIAL: PHOSPHOR BRONZE T=0.35MM 8P8C 3u"Gold Plated
5. IDC CONTACT : PHOSPHOR BRONZE T=0.50MM WITH NICKEL PLATING
6. RJ45 JACK LIFE: 750 TIMES MIN
7. IDN LIFE : 200 TIMES MIN
8. WIRE : AWG 24-26
9. RETENTIVENESS OF INSERTION STRUCTURE: 50N 60±5s

DETACHED LISTS	← MM (INCH) →		DFTO	DATE	Copperled Technology Co.,Ltd		
	TOLERANCES EXCEPT AS NOTED		CHKD	DATE			
	MM	±	MFO	DATE			
	INCH	±	APPLY	DATE			
MATERIAL :		MATERIAL :		TITLE			
ANGLES ±		QT'Y :		UTP Cat.6 Keystone Jack 180 degree Toolless			
THIRD ANGLE PROJECTION		FINISH :		DRAWING NO.		SIZE	REV
		SCALE :		/PART NO. CL-KJU-C6L1		A4	
				DO NOT SCALE DRAWING		SHEET	OF

8 | 7 | 6 | 5 | 4 | 3 | 2 | 1

H  
G  
F  
E  
D  
C  
B  
A